

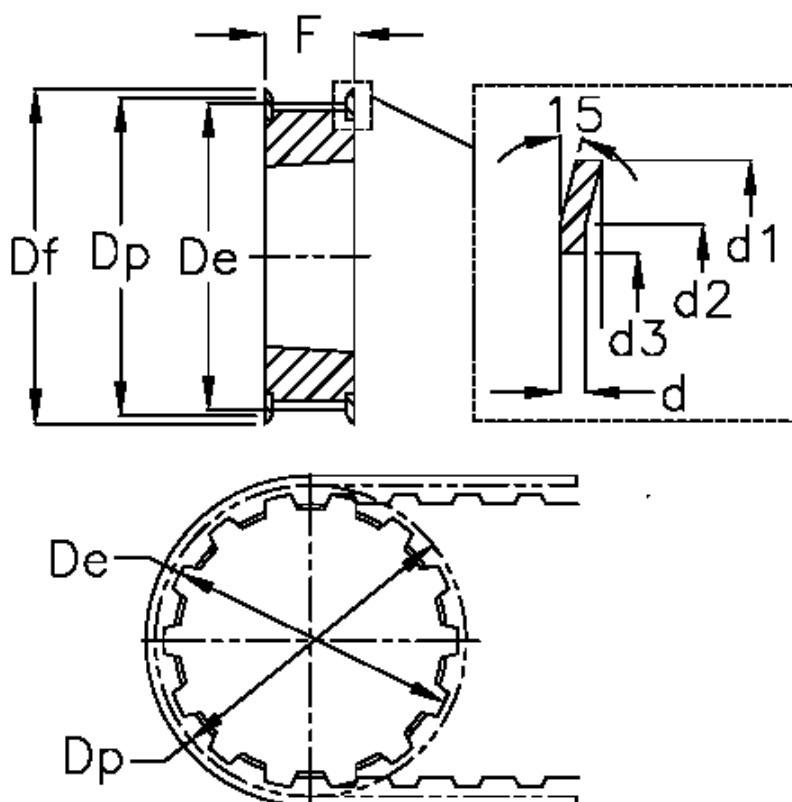
# Data Sheet



Article number: 604132030030

Description: Taper bored timing belt pulley  
HTD 30 8M 30 TL 1615

## Measures



$d = 1.5$	Flange type = F29
$d1 = 83$	For bushing = 1615
$d2 = 78$	Max bore = 42
$d3 = 68$	S = 38
$De = 75.13$	Tooth number = 30
$Df = 83$	Type = 8M
$Dp = 76.39$	Weight = 0.55
$F = 38$	Width = 30